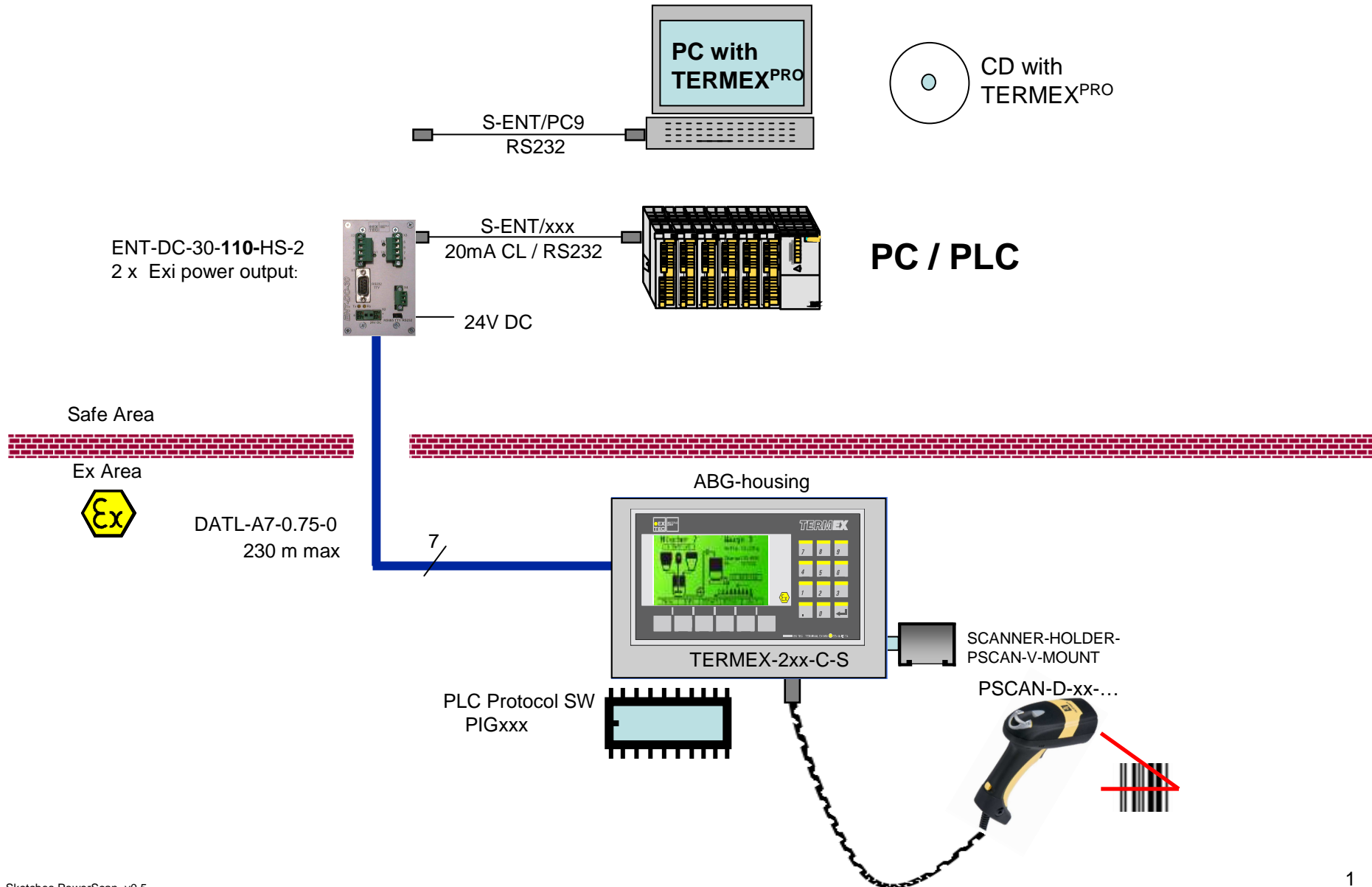
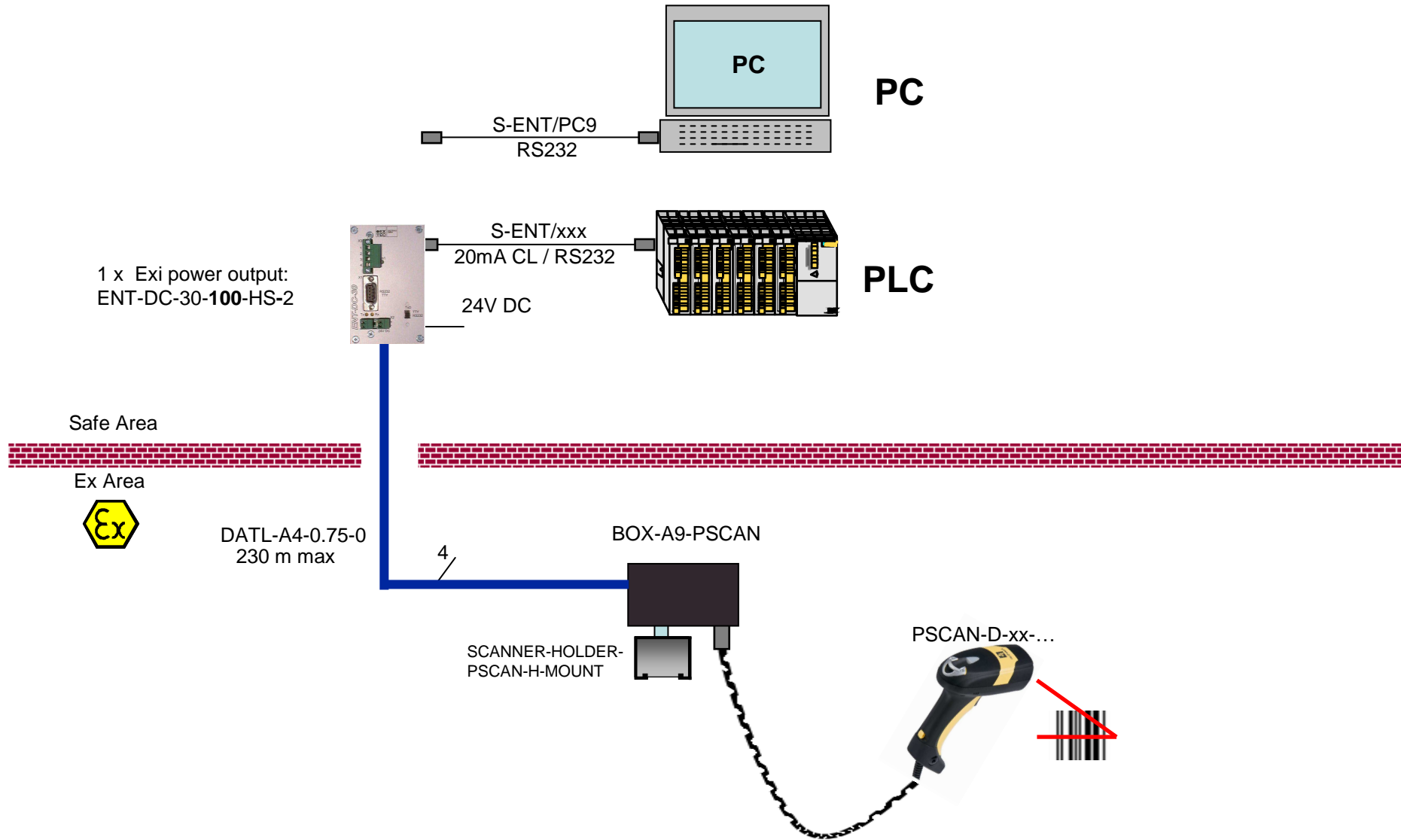


TERMEX-2xx/3xx-x-C-S

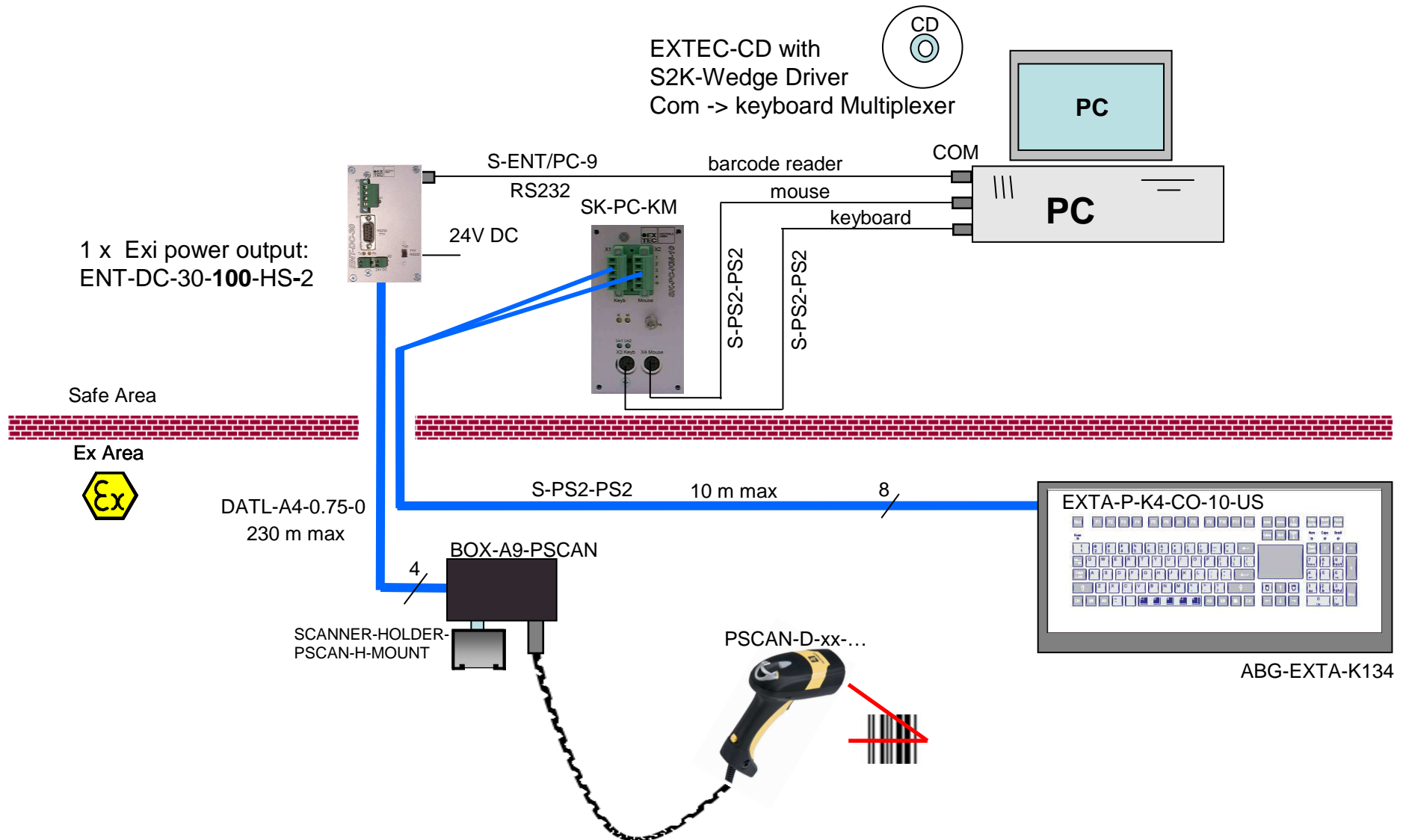


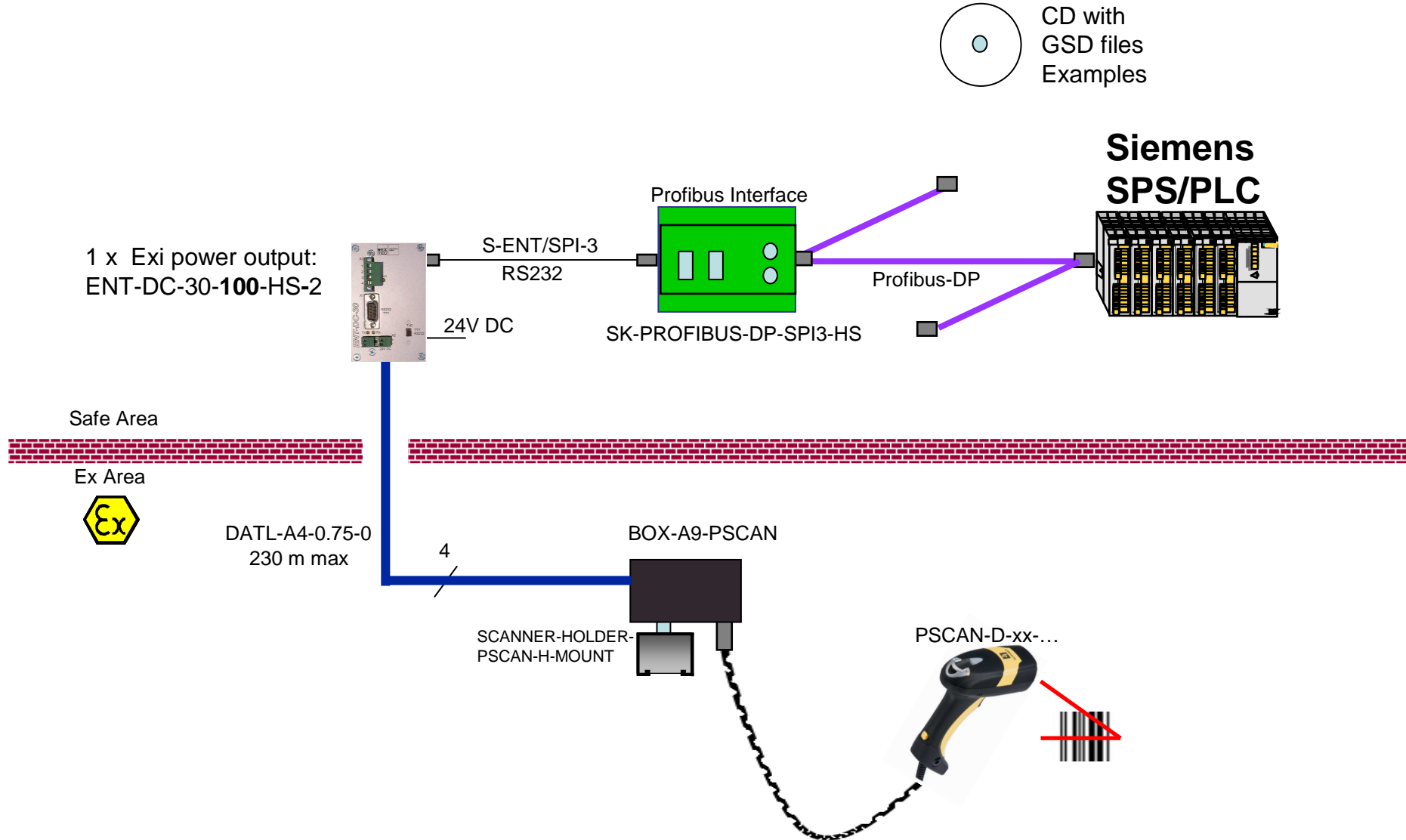
Stand alone



PSCAN-D-xx-... & EXTA-K4

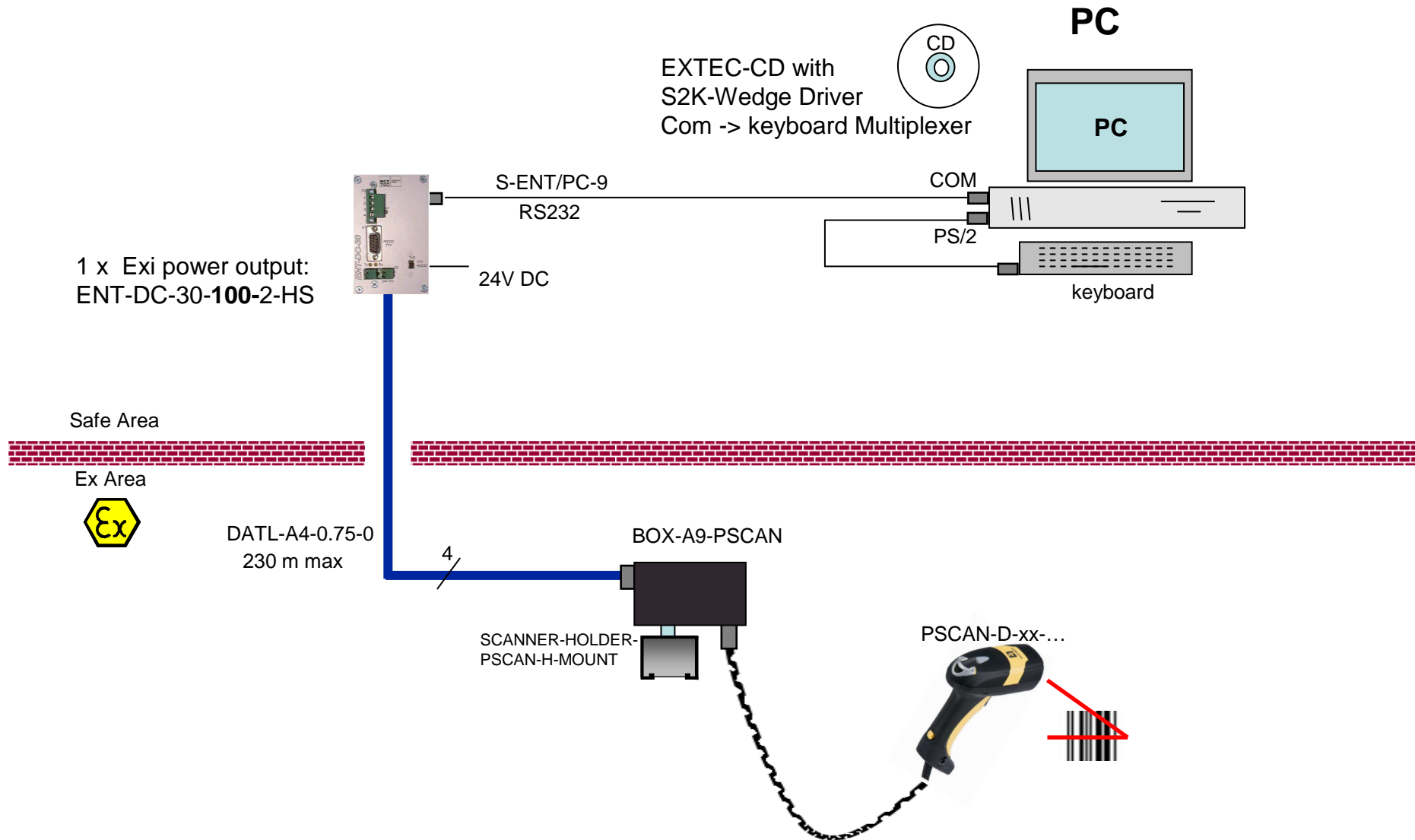
stand alone, with S2K keyboard Wedge software

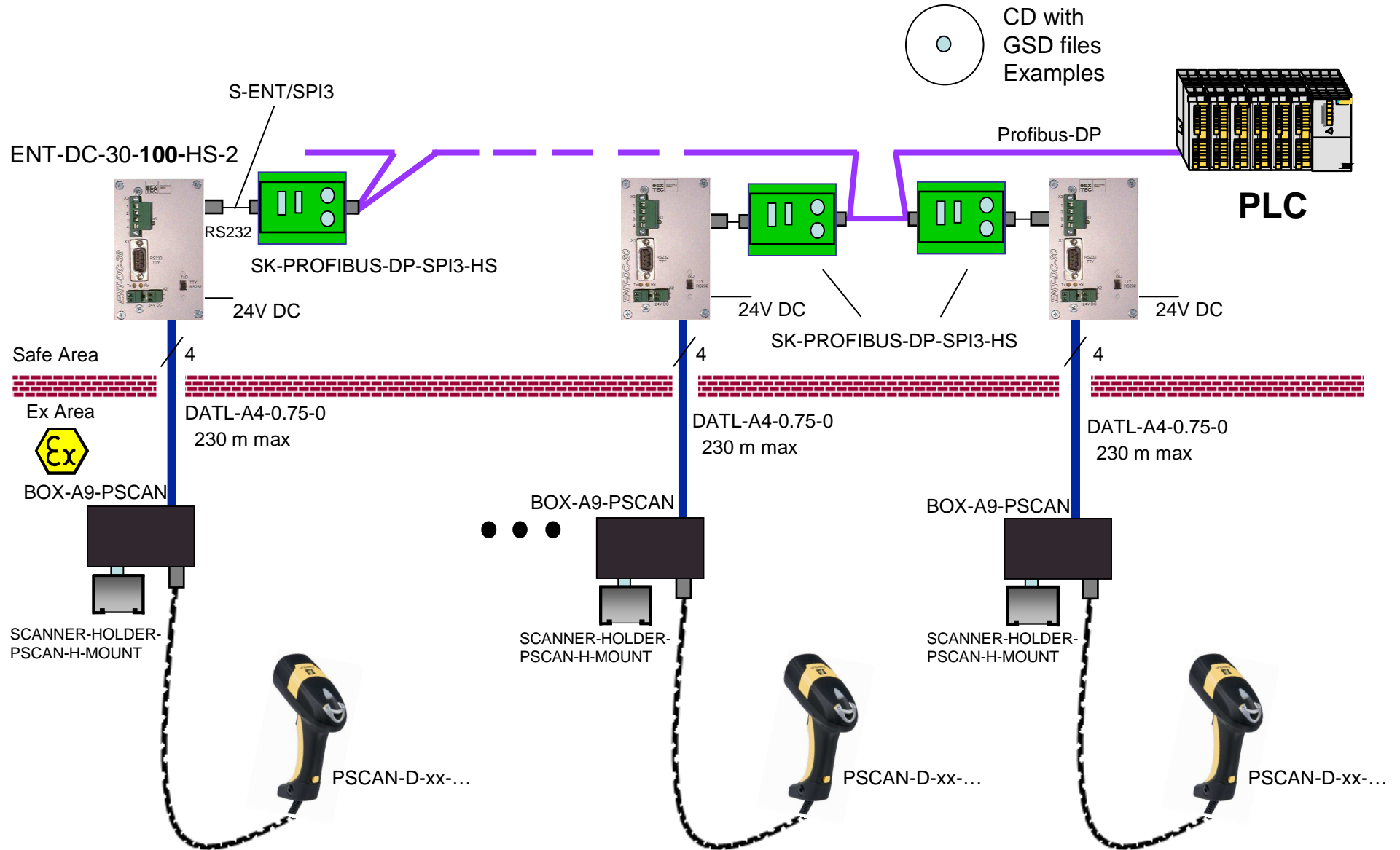


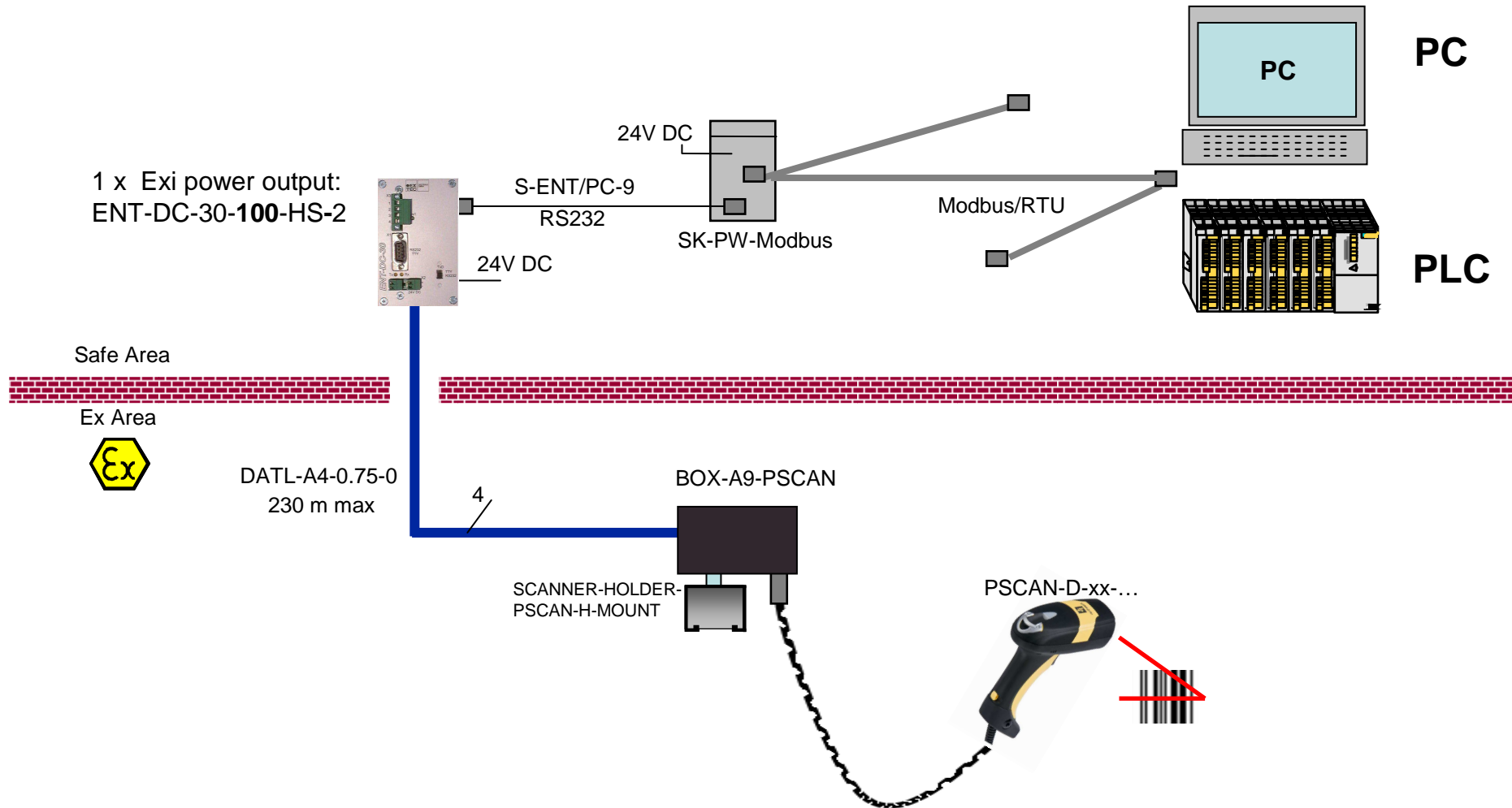


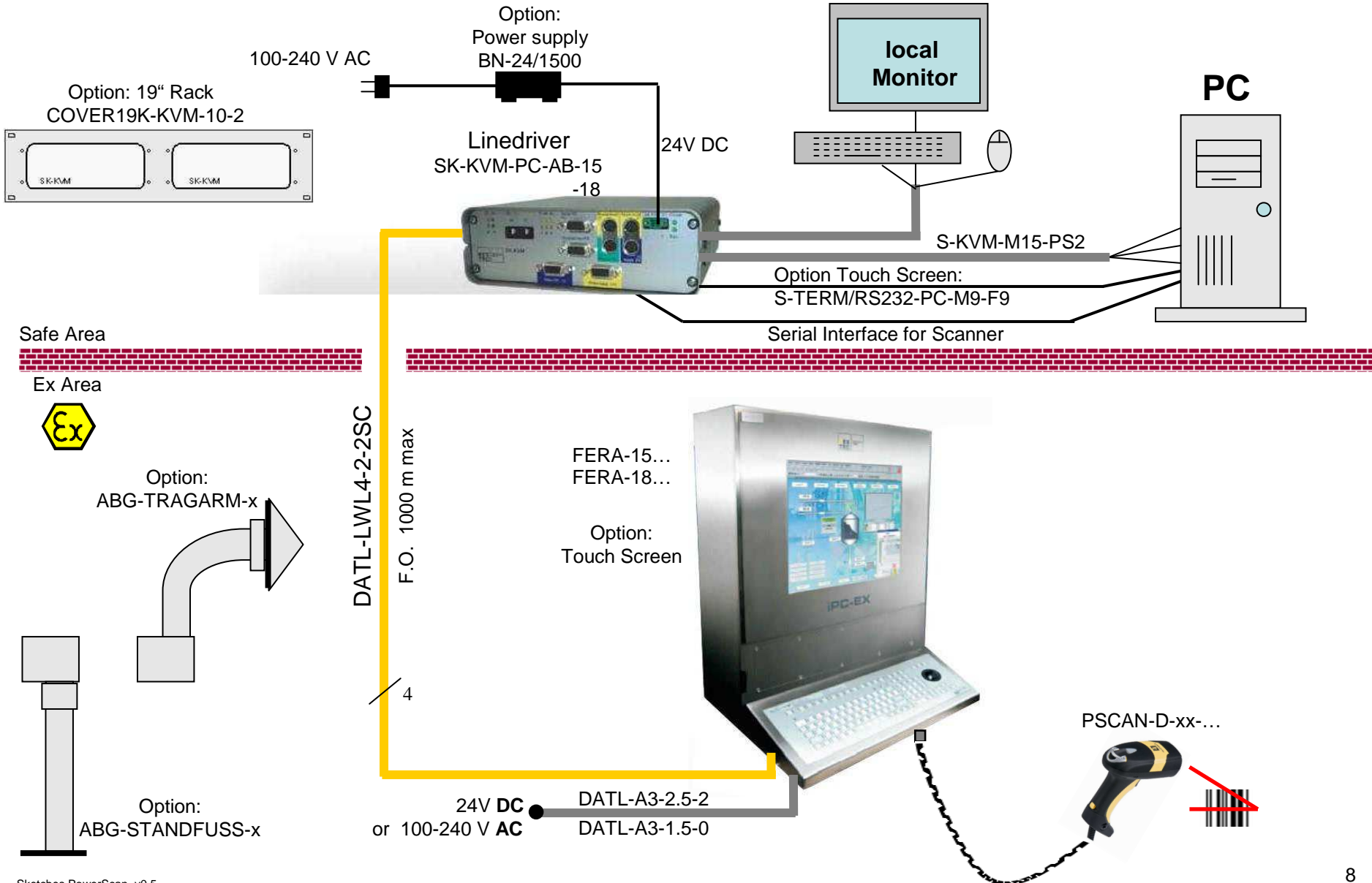
PSCAN-D-xx-...

stand alone with S2K keyboard interface Software

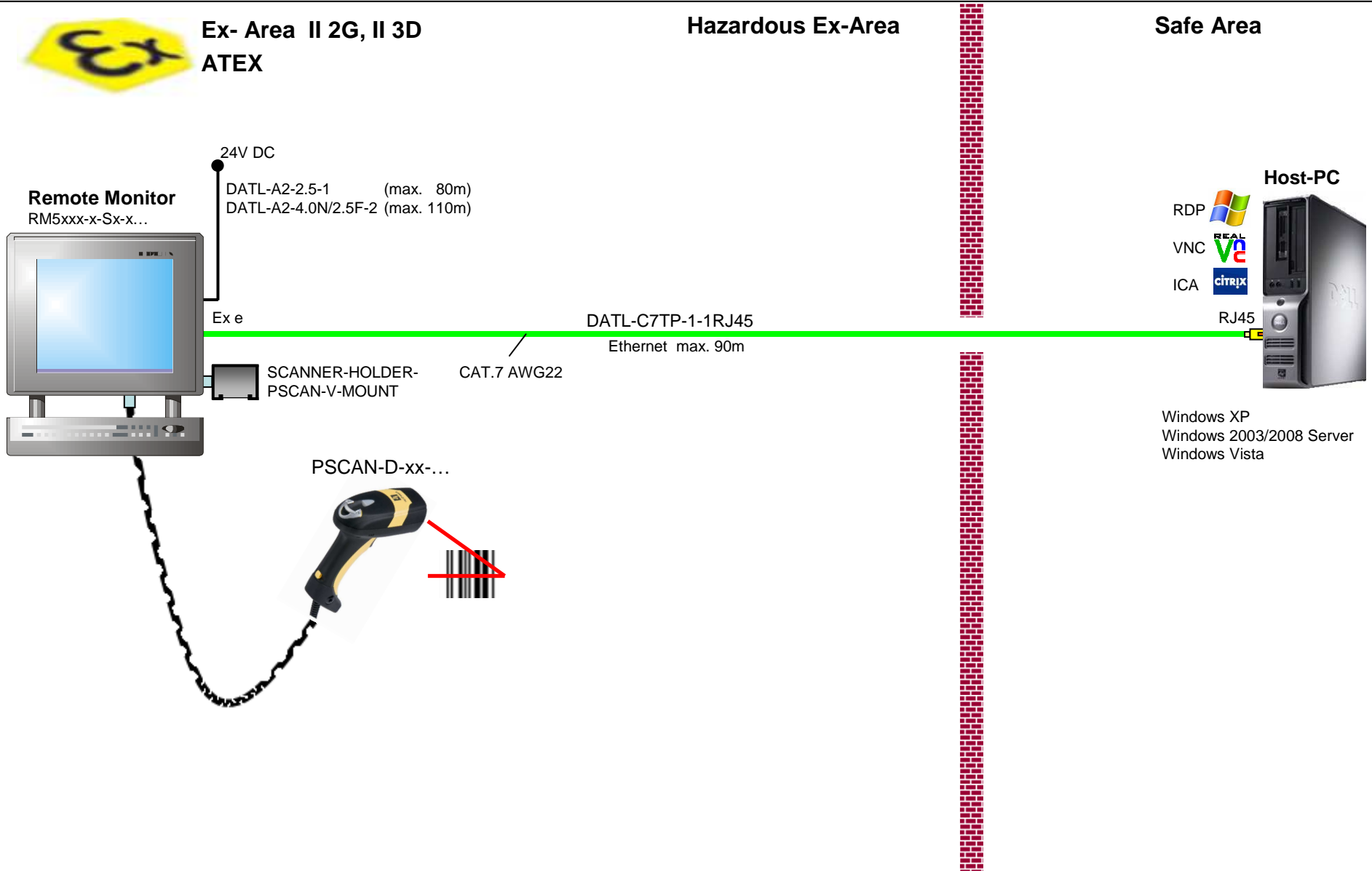




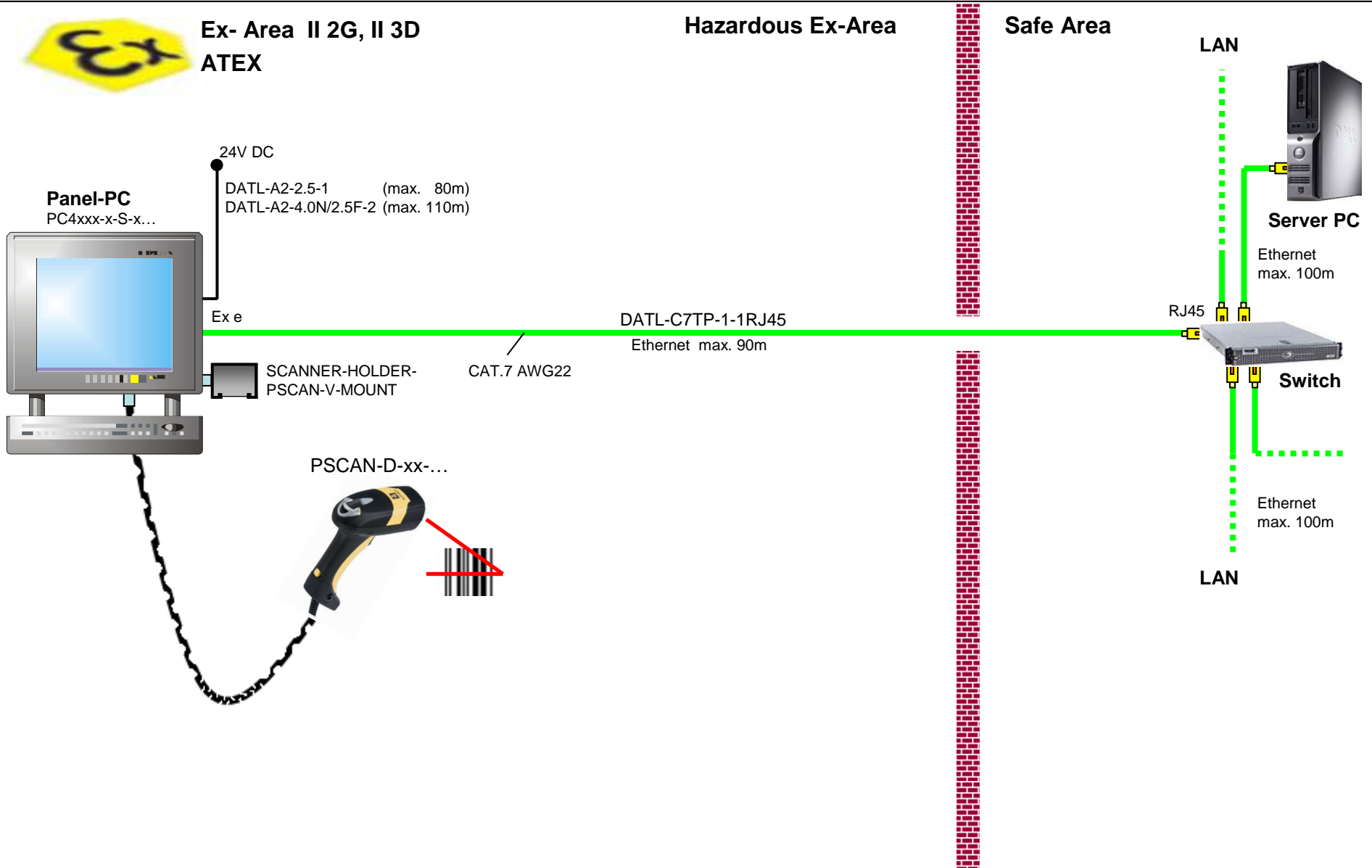




VisuNet EX1 RM, point-to-point connection



VisuNet EX1 PC, network connection

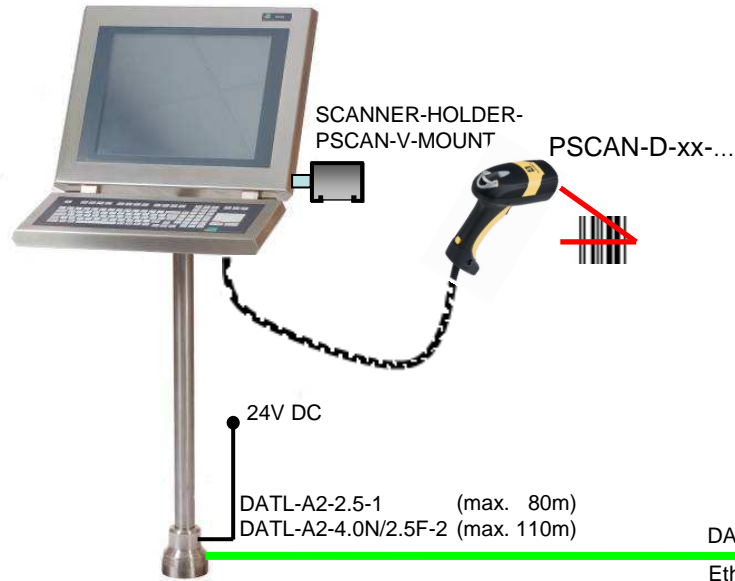


VisuNet GMP, Point-To-Point Connection

Production Area

Safe Area

VisuNet GMP



Pedestal1-150-1V-KP-G-T-304

DATL-C5TP-2-1RJ45
Ethernet max. 100m

Host-PC



Windows XP
Windows 2003/2008 Server
Windows Vista

preliminary